

# Linear actuator

SJ 25, 35, 45 series

## Benefits

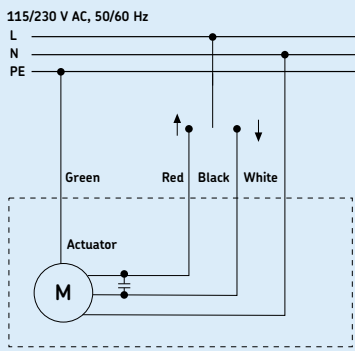
- Motor with thermal protection ( $+120 \pm 5 \text{ }^\circ\text{C}$ )
- Acme screw
- Self-locking
- Integrated limit switches
- Potentiometer for feedback
- Gear box (metal)
- UL 1004/UL 60601-1\* certification



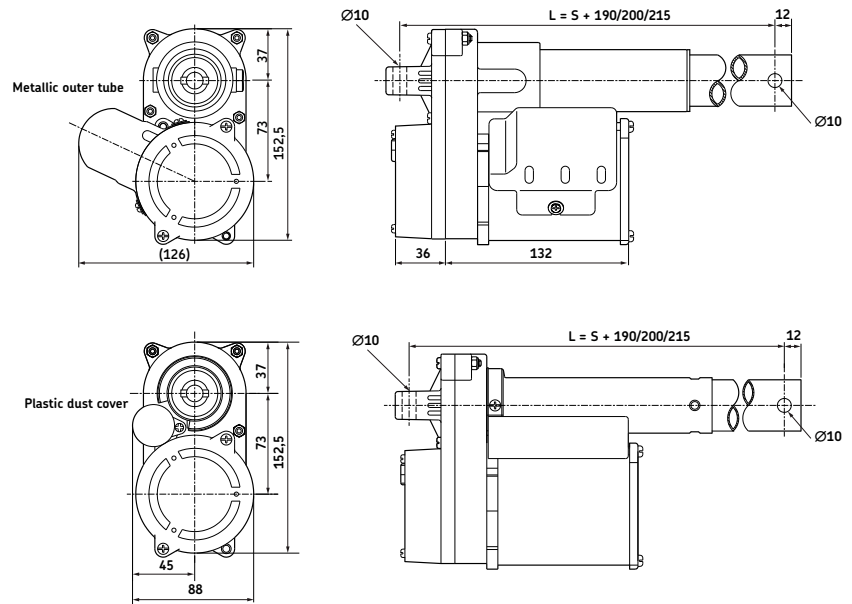
\*Only as an option for SJ35 and SJ45



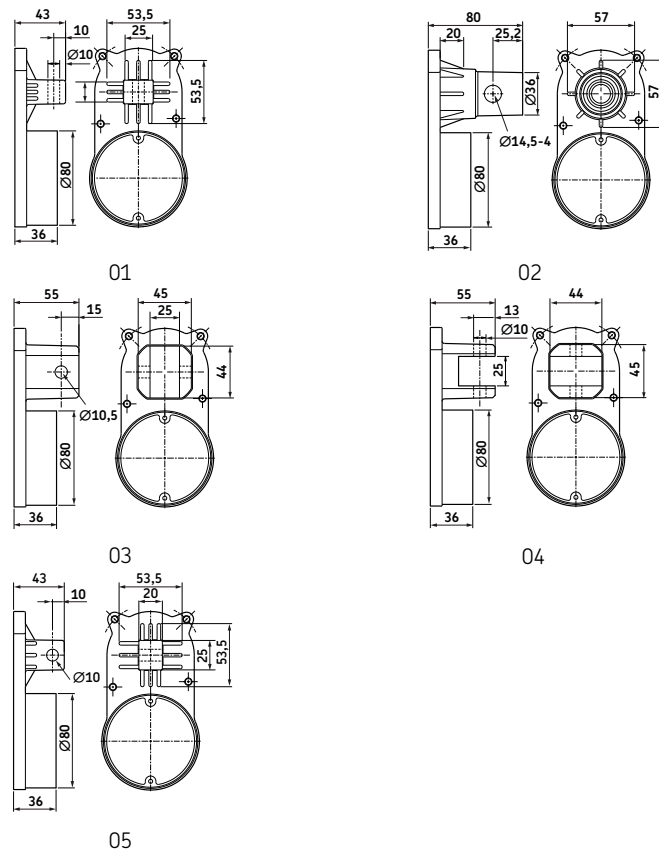
Connecting diagram



Dimensional drawing



Mountings



Technical data

	Unit	SJ 255	SJ 256	SJ 258	SJ 355	SJ 356	SJ 358
Push load	N	2 000	2 500	3 000	3 000	3 500	4 000
Pull load	N	2 000	2 500	3 000	3 000	3 500	4 000
Speed (full load)	115 V AC	mm/s	6,6 to 7,2	5,5 to 6,0	4,0 to 4,5	6,6 to 7,2	5,5 to 6,0
to no load)	230 V AC	mm/s	5,4 to 5,9	4,4 to 4,9	3,3 to 3,7	5,4 to 5,9	4,4 to 4,9
Stroke <sup>1)</sup>		mm	100 to 600	100 to 600	100 to 600	100 to 600	100 to 600
Retracted length <sup>2)</sup>		mm	S+190/200/215	S+190/200/215	S+190/200/215	S+190/200/215	S+190/200/215
Voltage	V AC		115 or 230	115 or 230	115 or 230	115 or 230	115 or 230
Power consumption	W		N/A	N/A	N/A	N/A	N/A
Current consumption	115 V AC	A	1,4	1,4	1,4	1,6	1,6
	230 V AC	A	0,8	0,8	0,8	1,0	1,0
Duty cycle	%		17	17	17	17	17
Ambient temperature	°C		+10 to +40	+10 to +40	+10 to +40	+10 to +40	+10 to +40
Type of protection	IP		52	52	52	52	52
Weight	kg		4,0	4,0	4,0	4,5	4,5
Color	–		Black	Black	Black	Black	Black

<sup>1)</sup> Max. stroke for the tube version "I" is 250 mm.

<sup>2)</sup> For clevis mounting; "01" and "05" L=S+190 mm, "02" L=S+215 mm, "03" and "04" L=S+200 mm.

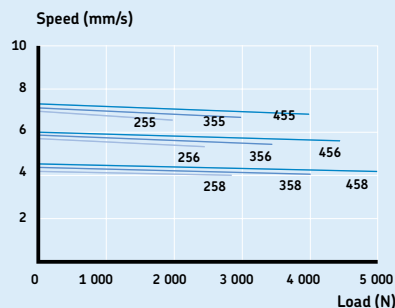
Technical data

	Unit	SJ 455	SJ 456	SJ 458
Push load	N	4 000	4 500	5 000
Pull load	N	4 000	4 500	5 000
Speed (full load)	115 V AC	mm/s	6,6 to 7,2	5,5 to 6,0
to no load)	230 V AC	mm/s	5,4 to 5,9	4,4 to 4,9
Stroke <sup>1)</sup>		mm	100 to 600	100 to 600
Retracted length <sup>2)</sup>		mm	S+190/200/215	S+190/200/215
Voltage	V AC		115 or 230	115 or 230
Power consumption	W		N/A	N/A
Current consumption	115 V AC	A	1,8	1,8
	230 V AC	A	1,0	1,0
Duty cycle	%		17	17
Ambient temperature	°C		+10 to +40	+10 to +40
Type of protection	IP		52	52
Weight	kg		5,0	5,0
Color	–		Black	Black

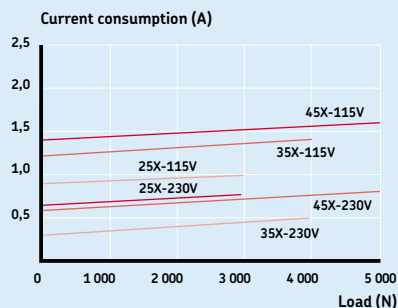
<sup>1)</sup> Max. stroke for the tube version "I" is 250 mm.

<sup>2)</sup> For clevis mounting; "01" and "05" L=S+190 mm, "02" L=S+215 mm, "03" and "04" L=S+200 mm.

Performance diagrams

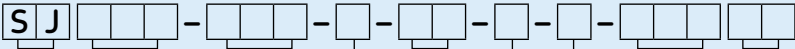


Speed-load diagram



Current-load diagram

Ordering key



Type

Load / Speed:

2 000 N / 7,2 mm/s	255
2 500 N / 6,0 mm/s	256
3 000 N / 4,5 mm/s	258
3 000 N / 7,2 mm/s	355
3 500 N / 6,0 mm/s	356
4 000 N / 4,5 mm/s	358
4 000 N / 7,2 mm/s	455
4 500 N / 6,0 mm/s	456
5 000 N / 4,5 mm/s	458

Voltage:

115 VAC	115
230 VAC	230

Tube type:

With outer and inner tube	B
Inner tube with plastic dust protection cover	I
Inner tube only	Y

Mounting (see illustrations on page 141):

Square mounting	01
Tube mounting with 4 holes	02
Clevis mounting	03
Clevis mounting	04
Square mounting	05

Cable connector:

No connector	N
1x4C to control box	C
1x3C to AC plug, 1x3C to pedant	P
With one motor controller	L

Feedback:

Potentiometer	P
No sensor	N

Stroke:

100 mm	100
150 mm	150
200 mm	200
250 mm (250 mm is also the maximum stroke for tube versions "I" and "Y")	250
300 mm	300
350 mm	350
400 mm	400
450 mm	450
500 mm	500
550 mm	550
600 mm	600

Customized cable length options:

*Specify requested cable length in dm*

XX

*Options written in italic fonts are only available on demand. Please contact SKF*

© SKF is a registered trademark of the SKF Group

© SKF Group 2009

The contents of this publication are the copyright of the publisher and may not be reproduced (even extracts) unless prior written permission is granted. Every care has been taken to ensure the accuracy of the information contained in this publication but no liability can be accepted for any loss or damage whether direct, indirect or consequential arising out of the use of the information contained herein.

Printed in Sweden on environmentally friendly paper.

PUB MT/P8 10355 EN · November 2009

